

NEW

Direct drive pumps

A compact centrifugal pump with canned motor further covers a higher flow rate.



RD-40 (High head type)

Max. discharge capacity: 25 L/min

Max. head: 15 m

RD-40X (High flow type)

Max. discharge capacity: 70 L/min

Max. head: 8 m

Our RD series design features small canned motor centrifugal pumps powered by brushless DC motors. They are designed to be cool, quiet, compact and lightweight. A variety of features, including a seal-less design to prevent leakage, enables the pumps to meet a full spectrum of user needs, with emphasis on ease of installation, operation and maintenance. The high head type and the high flow type are new additions to the range. Choose the most suitable model from a wide selection.

Compact and lightweight with a seal-less structure

The pumps with a canned motor offer compactness and light weight. Compared with conventional magnetic drive pumps, they require minimal space for installation. Select the best connection for your plumbing system from tube, R pipe and NPT pipe. Seal-less structure eliminates wear leakage and other problems involved with seal replacement.

Long life design

Use of a DC brushless motor eliminates concerns over brush abrasion, ensuring a service life comparable to an AC motor.

Safety voltage

The RD series power voltage is classified as safety voltage (50V or less), which allow the user to easily comply with international standards such as UL, CSA, CE and GS.

DC power system

The DC power system overcomes installation limits for voltage and frequency of each area.

Flow rate adjustment

Flow rate can be adjusted by means of an external signal of 1-5VDC.

Built-in drive circuit

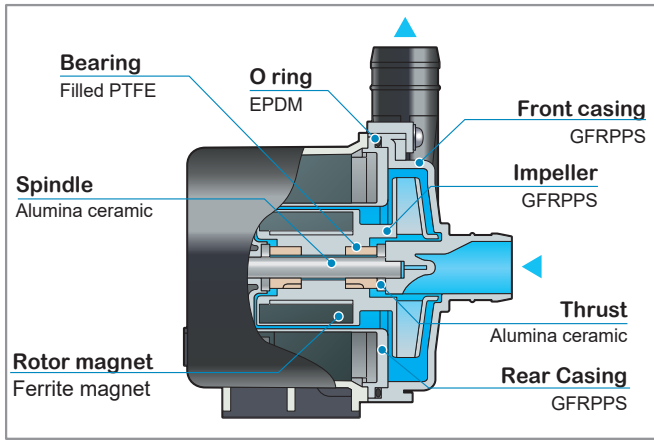
A drive circuit is fitted as standard inside the pump. Connect power to the pump and provide an external signal to start operation.

High temperature resistance

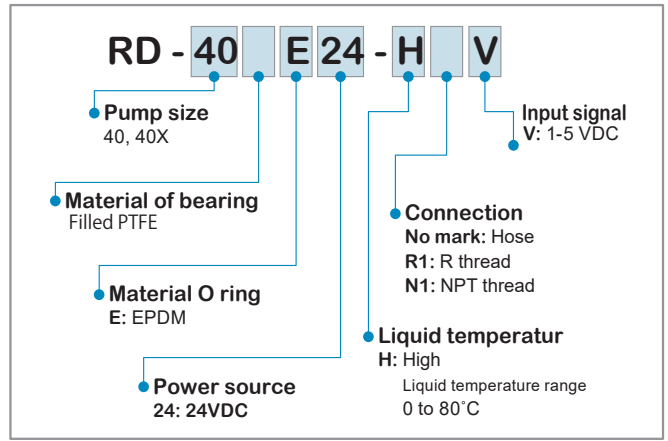
The pump can handle hot liquids up to 80°C.



Constuction & Wet-end materials



Pump identification

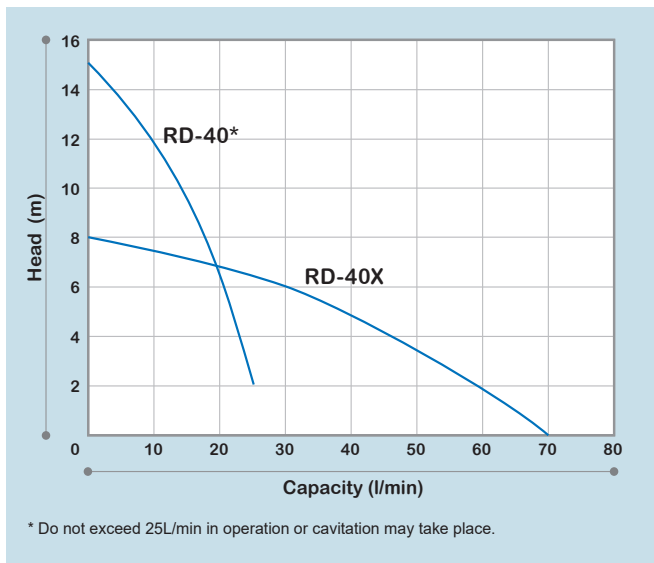


Specifications

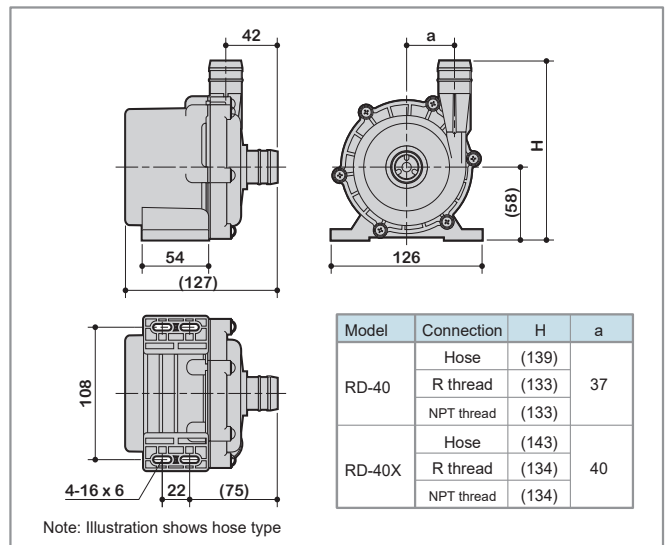
Model	Connection		Max. discharge capacity	Max. head	Max. SG	Motor		Mass
	IN	OUT				Output	Power source	
RD-40	ø 26 mm	ø 19 mm	25 l/min	15 m	1.0	85W	24VDC	1,5 Kg
	R1	R1/2						
	NPT1	NPT1/2						
RD-40X	ø 26 mm	ø 26 mm	70 l/min	8 m	1.0	72W	24VDC	1,5 Kg
	R1	R3/4						
	NPT1	NPT3/4						

- The data is collected from operation with clear water at room temperature.
- The maximum capacity is obtained based on the presumption that delivery head is at 0 m. The maximum head is obtained based on the presumption that discharge capacity is at 0 L/min.
- The maximum viscosity is 1mPas when the maximum specific gravity is 1.0.
- Operating condition Ambient temperature: 0 - 40°C, Liquid temperature: 0 - 80°C, Ambient humidity: 35 - 90%RH.

Performance curves



Dimensions in [mm]



<https://www.iwaki.it>

IWAKI Europe Branch Italy, Via Stazione 7, 36035 Marano Vicentino (VI), Italy
 TEL: +39-0445/561-219 FAX: +39-0445/569-088 E-Mail: sales@iwaki.de

⚠ Caution for safety use: Before use of pump, read instruction manual carefully to use the product correctly.
 Actual pumps may differ from the photos. Specifications and dimensions are subject to change without prior notice. For further details please contact us.

⚠ Legal attention related to export.
 Our products and/or parts of products fall in the category of goods contained in control list of international regime for export control.
 Please be reminded that export license could be required when products are exported due to export control regulations of countries.