

IWAKI  
SELF-PRIMING  
MAGNETIC DRIVE  
PUMPS

**SMX-F**

Main material  
**CFRETFE**



**PATENT**

JAPAN / U.S.A. / EU / CHINA / TAIWAN

Solutions for chemical handling applications

# Chemically resistant self-priming magnetic drive pumps which can tolerate abnormal operation



The SMX-F is a horizontal self-priming magnetic drive pump made from fluororesin. Our original self-radiation structure (Patented) enhances resistance to dry running, cavitation, and closed-discharge operation. In addition, the use of standard motors extends the range of application.



SMX-F543

SMX-F441

SMX-F221

**Excellent corrosion resistance**

The casings, impeller assembly and magnet capsule are made of fluororesin(CFRETFE). Other wet-end parts are made of highly corrosion resistant materials such as carbon, ceramic and the like. The pumps can handle almost type of chemicals including strong acid/alkali.

**Expanded versatility**

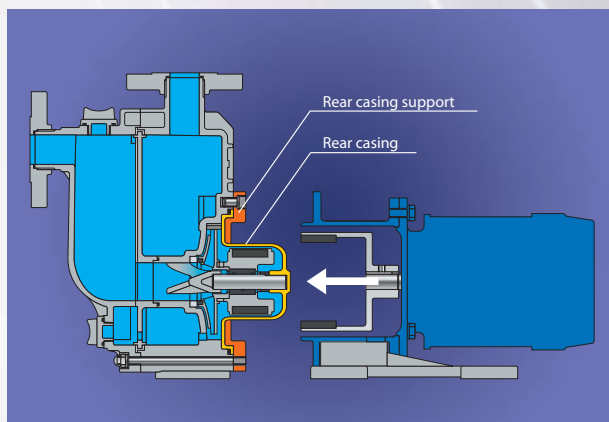
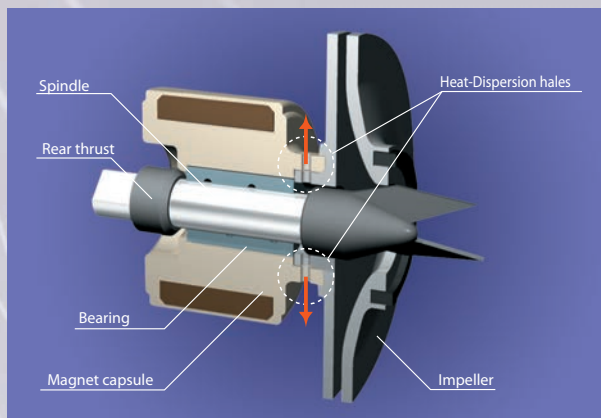
The SMX-F has a modular structure to handle liquids with high specific gravities. Use of standard motors extends the range of liquid application.

**Easy maintenance**

The pump wet end can be removed from the motor as a complete assembly without dismantling, thanks to an additional rear casing support. The pump wet end comprises the minimum number of parts for easy maintenance.

**Enhanced durability under abnormal operation**

Our original self-radiation structure (Patented) efficiently disperses bearing friction heat to protect the pump under abnormal operating conditions. In addition, our non-contact structure prevents contact between rear thrust face and bearing, to eliminate heat buildup during dry running.



**Fast self-priming**

The SMX-F requires no external self-priming chambers or valves. The gas-liquid separation design ensures fast self-priming. An exceptional self-priming duration of up to 4m in only 90 seconds is now possible.

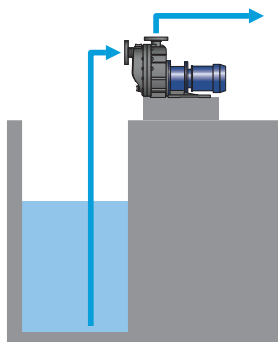
**Rear casing support**

The pump wet end is easily removed from the motor by removal of 4 mounting bolts on the motor bracket. The rear casing support performs easy maintenance and draining of any residual liquid at other place.

**Examples of application**

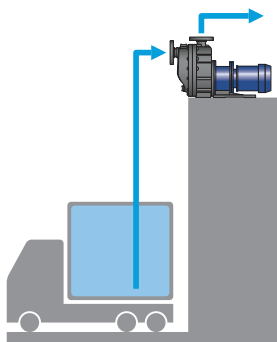
**Pumping up from underground tank**

- Underground tank at chemical plant.
- Underground tank or pit of waste plant.



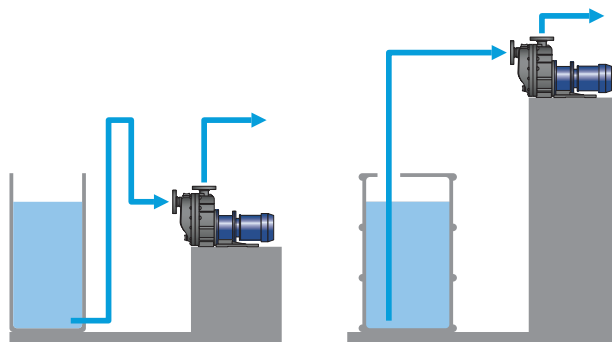
**Pumping up and out from top of tank and tanker truck**

- Transferring etching and plating chemical from chemical bath.
- Sucking up chemical from truck.
- Pumping up from top of tank.

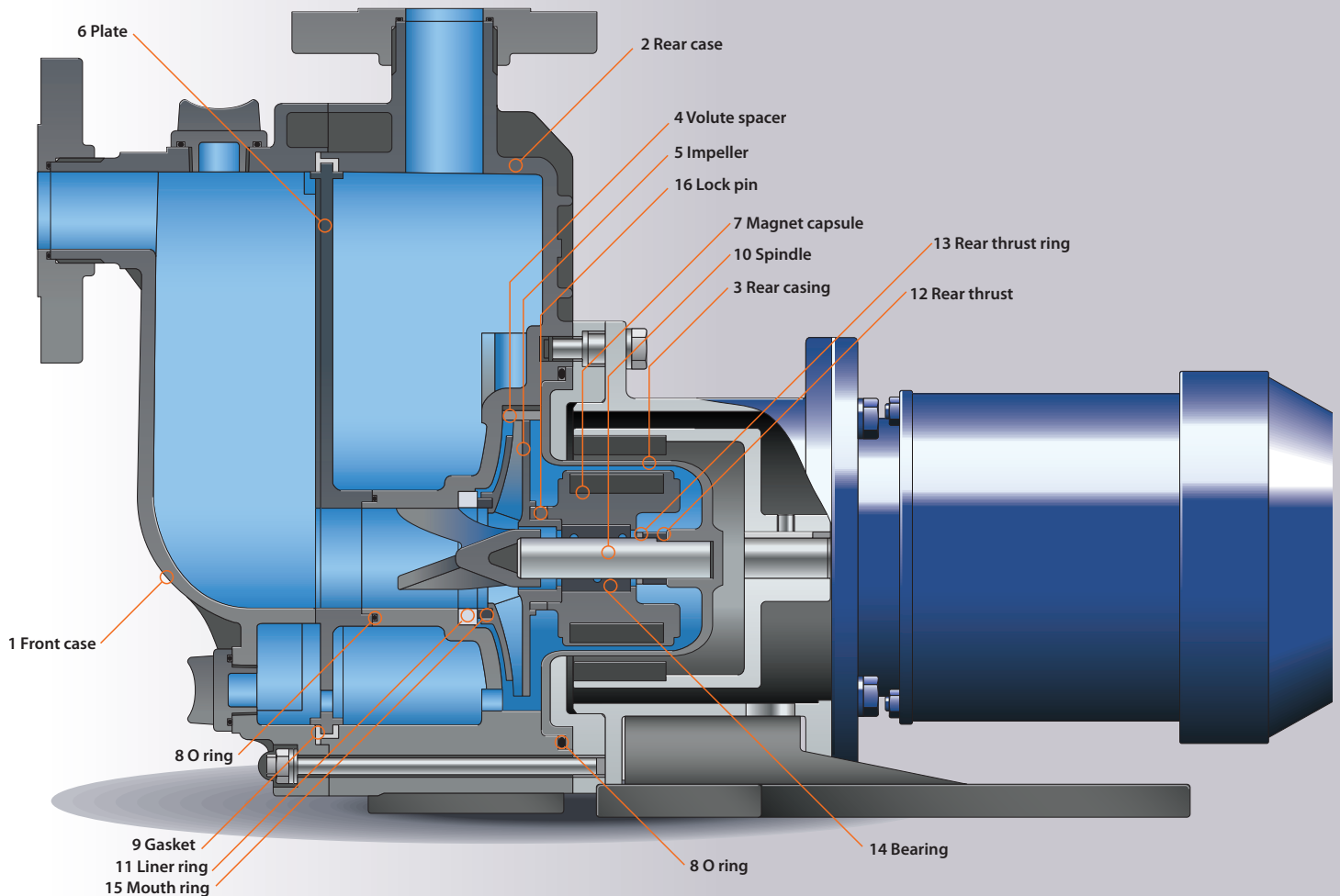


**Transferring chemical from tank to tank**

- Transferring from main tank to daily tank.
- Refilling chemical from drum to tank.



# Reliability and performance are enhanced by our unique design



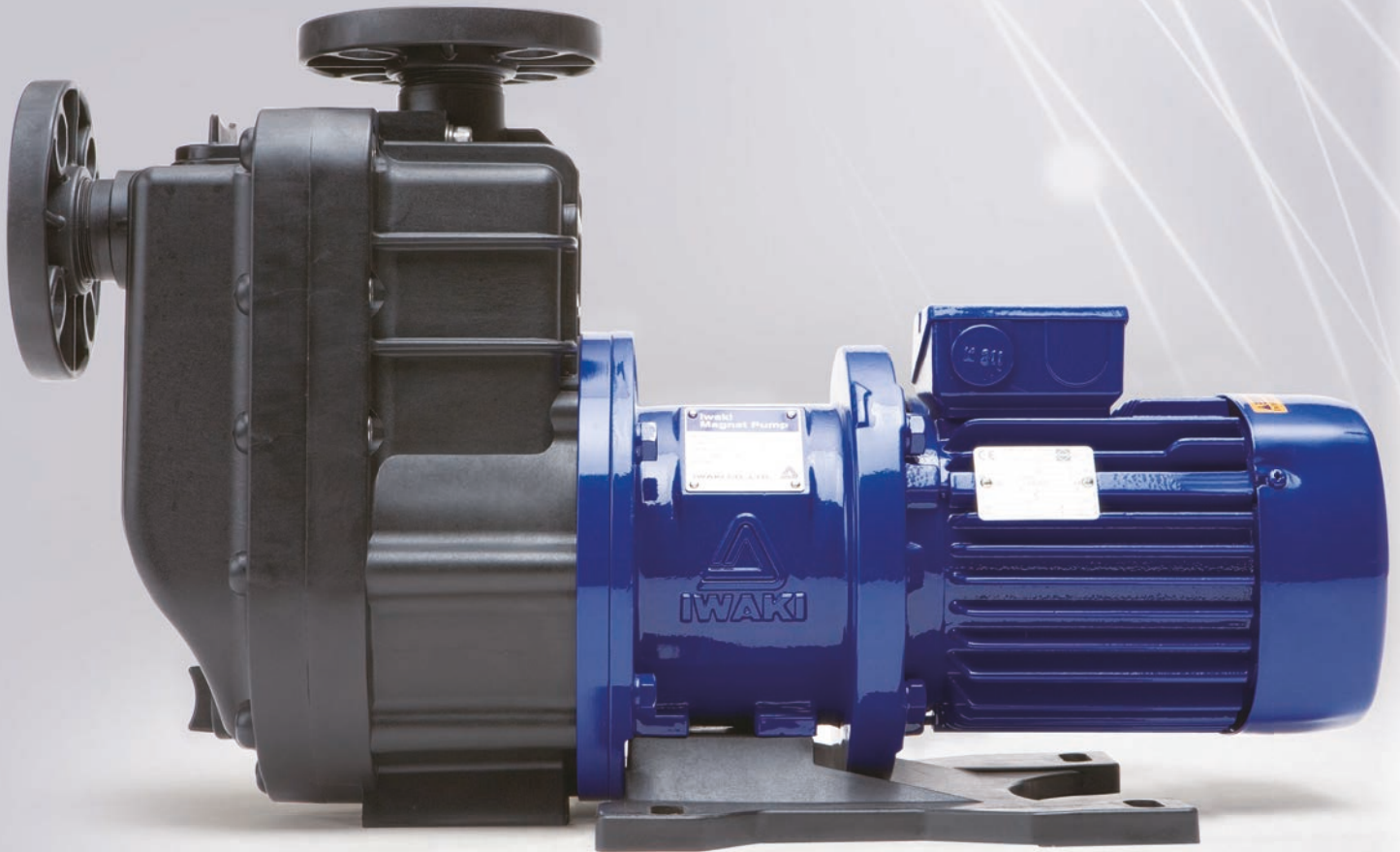
## Wet-end materials

Name of part	Model	CF	RF	KK
1 Front case				
2 Rear case				
3 Rear casing			CFRETFE	
4 Volute spacer				
5 Impeller				
6 Plate				
7 Magnet capsule				
8 O ring			FKM/EPDM	
9 Gasket				
10 Spindle		High purity alumina ceramic		SiC
11 Liner ring				
12 Rear thrust	SMX-F22,44 SMX-F54	CFRETFE		
		High purity alumina ceramic		SiC
13 Rear thrust ring	Note:2	—	High purity alumina ceramic	—
14 Bearing		High density carbon	PTFE (With filler)	SiC
15 Mouth ring			PTFE (With filler)	
16 Lock pin	Note:1		CFRETFE	

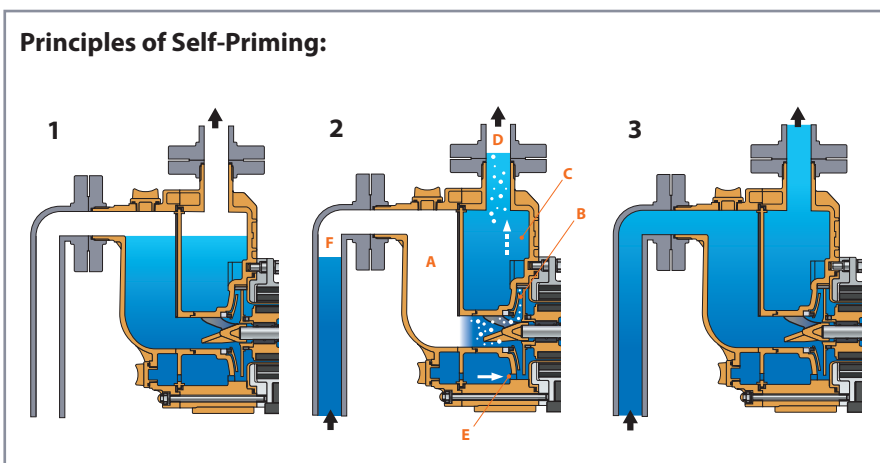
Note1: 54 type only

Note2: Exclusive for SMX-F22RF, 44RF





**Principles of Self-Priming:**



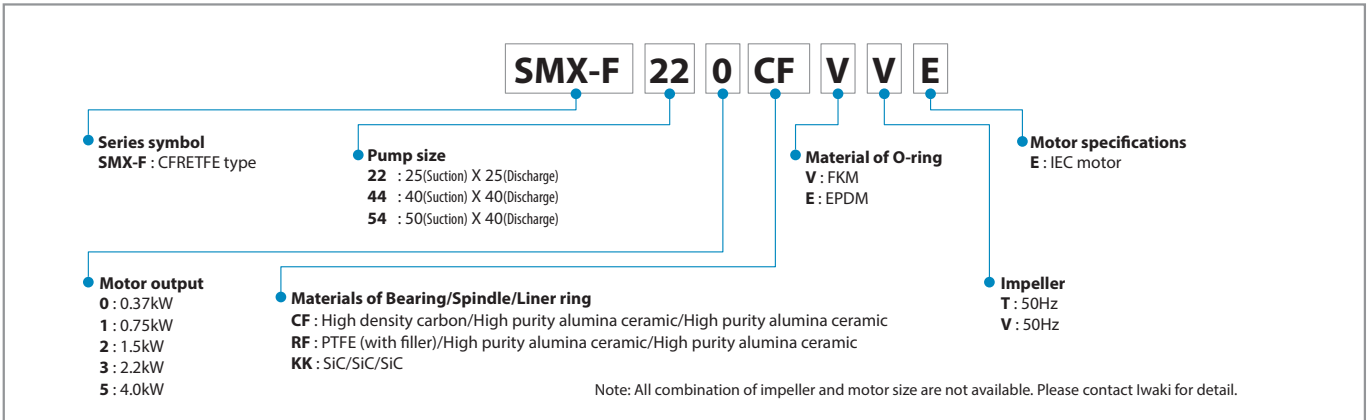
- 1** Prime the pump with liquid.
- 2** On starting, the pump will suck both gas and liquid into its inlet. This mixture moves through front case **A** to the front casing, where it is agitated by the impeller. The mixture is discharged through pump chamber **B** to rear case **C**, where gas and liquid separation then occurs. Gas is bled from the discharge port **D** while some liquid is retained. Liquid in the rear case **C** is fed back through circulation hole **E** to the front casing, where it is again mixed with entrained gas by the impeller. This recirculation & bleeding process continues until gas from the suction side **F** is completely expelled.
- 3** Once all gas is expelled, normal centrifugal pump operation is resumed. Sufficient liquid remains in the casing for subsequent self-priming once the pump is stopped.

# Specifications

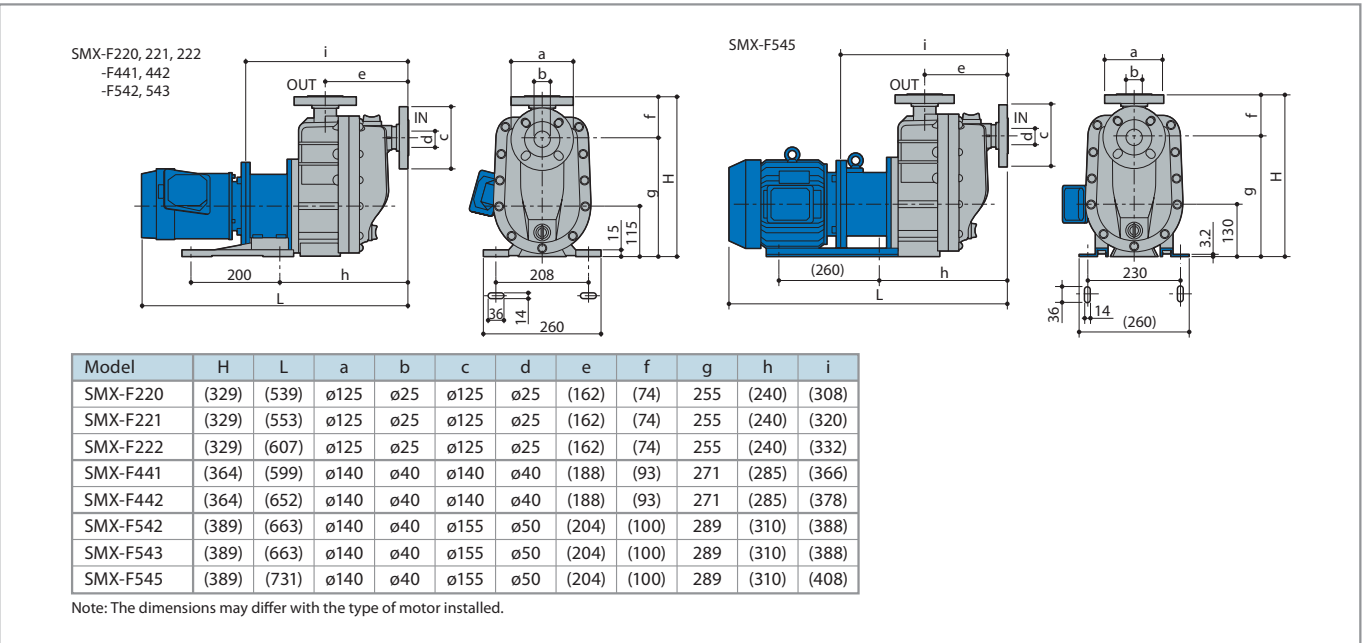
Model	Connection Suction X Discharge (mm)	Impeller	Cycle (Hz)	Min. capacity (L/min)	Standard specification (L/min-m)	Max. capacity (L/min)	Motor (kW 2p)	Resisting pressure limit (MPa)	Mass Less motor (kg)
SMX-F220	25 X 25	V	50	10	80 - 7.5	90	0.37	0.28	14
SMX-F221	25 X 25	T	50		100 - 12.5	115	0.75		
		V	50		80 - 7.5	125			
SMX-F222	25 X 25	T	50		100 - 12.5	155	1.5		
SMX-F441	40 X 40	T	50		100 - 13.5	135	0.75		
SMX-F442	40 X 40	T	50	150 - 11.8	280	1.5			
SMX-F542	50 X 40	V	50	20	100 - 19.8	155	1.5	0.40	28
SMX-F543	50 X 40	T	50		250 - 16.0	440	2.2		
		V	50		200 - 16.0	410	2.2		
SMX-F545	50 X 40	T	50		250 - 16.0	440	4.0		
		V	50		200 - 16.0	410	4.0		

• Temperature range of handled liquid: 0 to 80°C (The self-priming height limit decreases at high temperatures.)

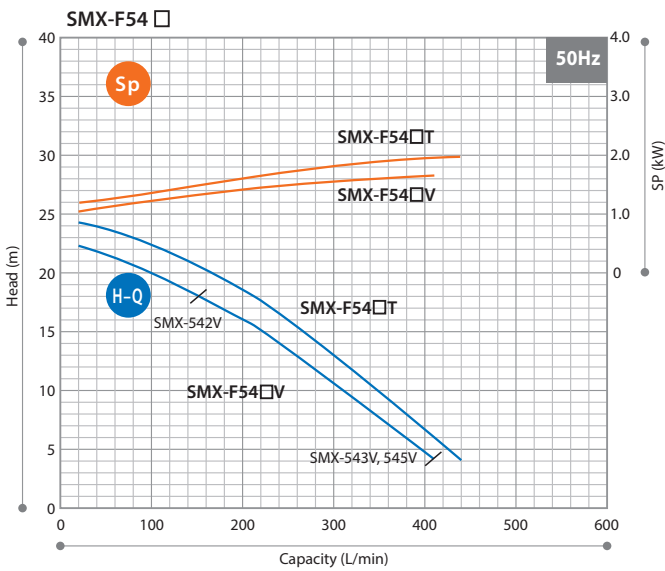
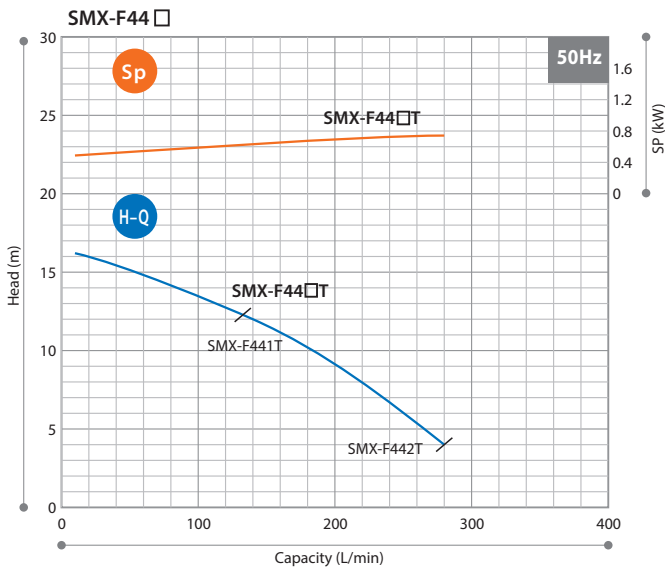
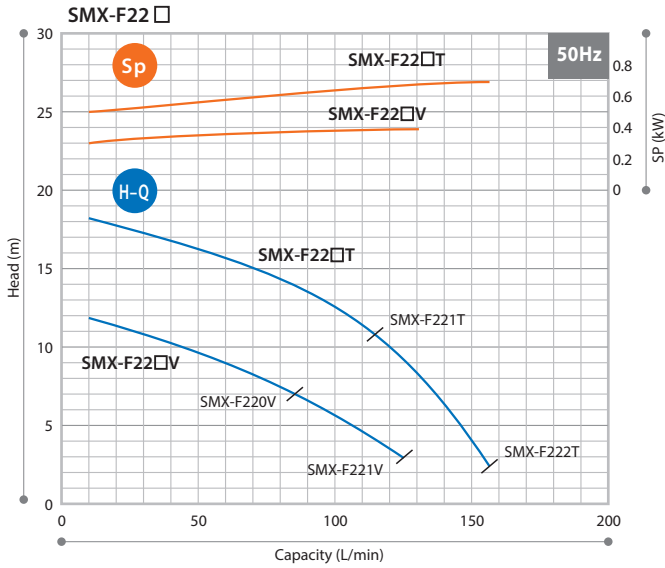
# Pump identification



# Dimensions in mm



**Performance curves**

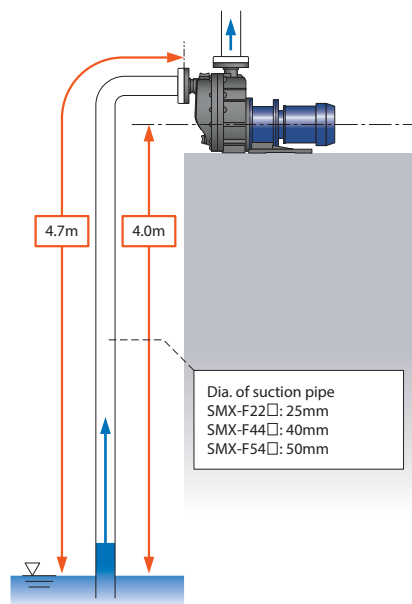


**Precautions on the selection of pumps**

- 1.The performance curves on this catalogue are based on the operation with 20°C clean water in flooded suction. Keep a margin (3% of the curves) when selecting the pump.
- 2.The magnetic pump cannot run continuously with a closed-discharge. Be sure to observe the minimum flow rate.  
The minimum flow rate SMX-F22□: 10L/min  
SMX-F44□: 10L/min  
SMX-F54□: 20L/min
- 3.Select a pump model according to liquid specific gravity. Always keep 10% allowance to motor output.  
Pump shaft power Sp x Specific gravity x 1.1 (margin) ≦ Motor output
- 4.The self-priming performance (4m in 90 seconds) is based on the operation with 20°C clean water on the right piping condition. Self-priming performance varies with liquid temperature, characteristics and piping conditions. Obtain a rough guide of the highest possible self-priming height at each liquid specific gravity by the following formula.  
The highest possible self-priming height[m] = Self-priming height with clean[m] / Liquid specific gravity

**Self-priming considerations**

- 1.The diameter of the piping on the suction side should be the same as that of the pumps inlet port:  
SMX-F22□: 25mm  
SMX-F44□: 40mm  
SMX-F54□: 50mm  
and the length of the piping should be limited to less than 4.7m. A larger pipe diameter or longer piping could adversely affect the self-priming performance, or could even hinder the self-priming process itself.
- 2.In cases where the liquid level fluctuates, take the height from the lowest liquid level as the maximum self-priming height.
- 3.Always perform priming before first operation, and start the pump only after the pump chamber has been filled with the handled liquid.
- 4.To prevent early deterioration, avoid frequent start/stop of the pump.
- 5.If a foot valve is installed on the suction pipe, pipe resistance may increase so that the pump cannot suck liquid enough.



**Optional accessories**

**Iwaki pump protector DRN series**

**Detects unusual pump operating conditions including dry-running and overload**

The DRN model protects equipment (including pumps) from damage!  
Minimizes production downtime.  
Identifies possible causes of alarms so they can be investigated and addressed.



- |                    |   |
|--------------------|---|
| Multiple Input     | Two analog, one digital, one temperature input and one current input  |
| Easy operation     | Equipped with EASY setup mode to remember the operation status and set the lower/upper limit values, as well as AUTO setup mode |
| Bar graph          | Visible indication of current operating status  |
| Logging capability | Data log feature for preventative maintenance scheduling  |
| Communication      | RS485 external communication capability   |

**Specifications**

Model	DRN-01	DRN-02
Amperometric range	0.5-30.00A	5.0-200.0A
Unit's source voltage	AC100-240V 50Hz 10VA	
Operating temperature	0-40°C	
Operating humidity	35-85%RH	



<https://www.iwaki.it>

IWAKI Europe Branch Italy, Via Stazione 7, 36035 Marano Vicentino (VI), Italy  
TEL: +39-0445/561-219 FAX: +39-0445/569-088 E-Mail: sales@iwaki.de

**Caution for safety use:**  
Before use of pump, read instruction manual carefully to use the product correctly.

Actual pumps may differ from the photos. Specifications and dimensions are subject to change without prior notice. For further details please contact us.

**Legal attention related to export.**

Our products and/or parts of products fall in the category of goods contained in control list of international regime for export control. Please be reminded that export license could be required when products are exported due to export control regulations of countries.

The posting and copying from this catalogue without permission is not accepted firmly.