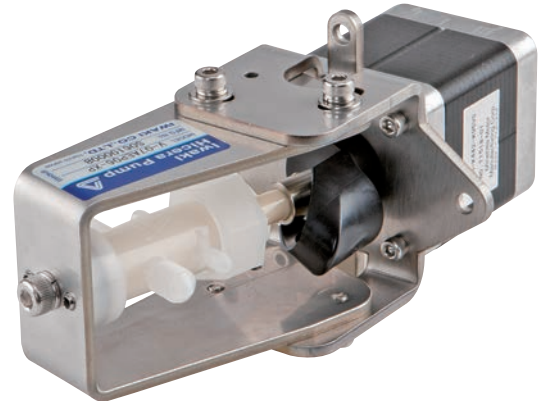


IWAKI
HI-CERA
PUMPS

V-07AEP06-P



High precision metering pump optimized for immunoassay analyzers

Example of applications: Fixed quantity reagent injection, cleaning solution management, buffer solution management, fixed saline injection, etc.

Variable discharge

A discharge rate of 0.1, 0.2, or 0.3 milliliters per shot can be selected by adjusting the angle setting on the pump head. (Configurable at time of order)

High corrosion resistance

The ECTFE pump head allows for the delivery of strong alkaline.

Cleaning port

The cleaning port prevents seizing of the plunger. The plunger surface is kept clean at all times, allowing it to operate freely whenever needed.

High torque motor

The V-07AEP06 is equipped with a bipolar stepper motor. The motor generates approximately twice the torque output, with the same electric current, than the conventional unipolar motor. This eliminates problems such as plunger lock.

Rotation sensor

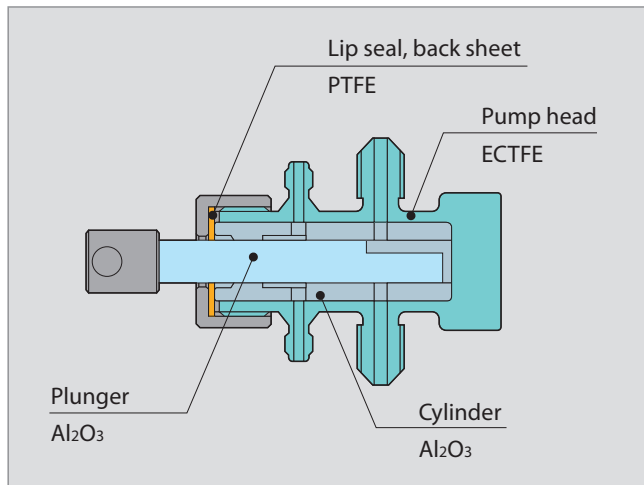
With an integrated standard rotation sensor, the pump quickly detects errors and easily monitors discharge rates.

Specifications

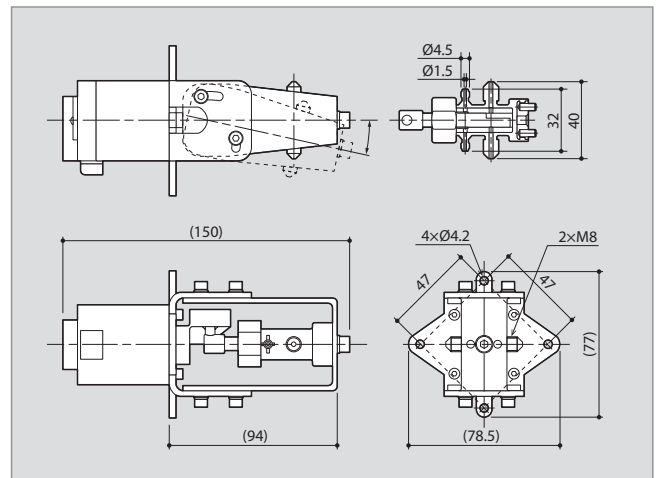
Model	V - 07 A E P 06 - P		
	01	02	03
1 shot flow	0.1 ml	0.2 ml	0.3 ml
Flow rate	0.5 to 30 ml/min	1.0 to 60 ml/min	1.5 to 90 ml/min
Stroke rate	5 to 300 rpm		
Precision dosing	±1.5 % ^{Note}		
Max. discharge pressure	150 kPa		
Liquid temperature	0 to 60 °C		
Atmosphere temperature	0 to 40 °C		
Weight	700 g		
Dimensions	150 mm × 79 mm × 77 mm		
Motor	2-phase bipolar stepper motor		
Power voltage range	24 VDC ±10%		

Note: Operated under the following conditions: 100 rpm speed, 10 shots and no pressure.

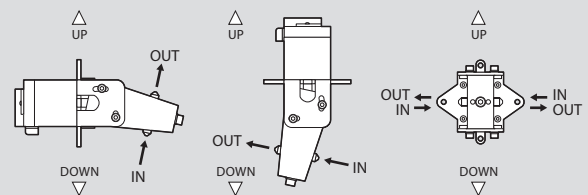
Wet end materials



Dimensions in mm

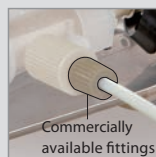


Mounting directions



Optional accessory

Conversion joints



Connect with commercially available fittings. (1/4-28UNF flat bottom fitting)

Commercially available fittings



<https://www.iwaki.de>

IWAKI Europe GmbH, Siemensring 115, 47877 Willich, Germany
 TEL: +49 2154 9254 0 FAX: +49 2154 9254 48 E-Mail: sales@iwaki.de

Caution for safety use: Before use of pump, read instruction manual carefully to use the product correctly.

Actual pumps may differ from the photos. Specifications and dimensions are subject to change without prior notice. For further details please contact us.

Legal attention related to export.

Our products and/or parts of products fall in the category of goods contained in control list of international regime for export control. Please be reminded that export license could be required when products are exported due to export control regulations of countries.

The posting and copying from this catalogue without permission is not accepted firmly.